

Power

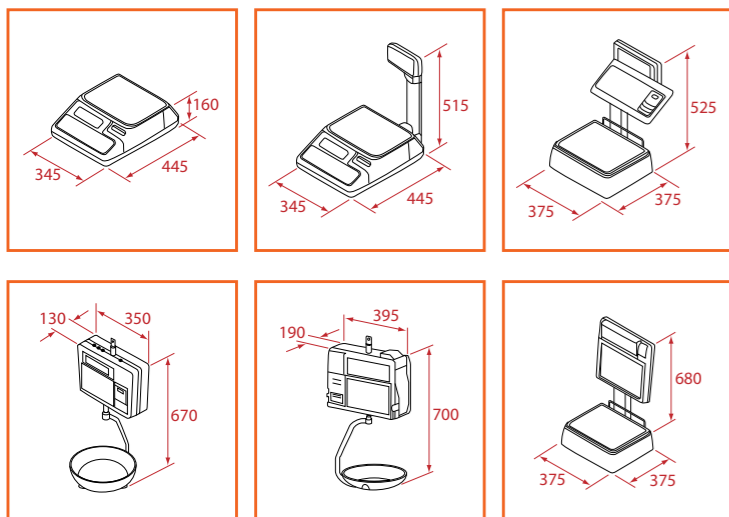
Mains Supply: 110 or 230VAC (depending on versions).

Long range rechargeable internal battery in K-330 B, K-330 BXL, K-350B and K-350 BXL models:

- Up to 3,500 receipts in flat or tower formats (with backlight off).*
- Up to 8,000 receipts in double body format, equipped with two batteries (with backlight off).*

* Load and range of rechargeable batteries can vary substantially depending on temperature, age and general estate of batteries, frequency of printing, networking, etc.

Dimensions (mm)



Software

Dibal RMS Software for Windows

- **Complete scale management and the management of one or more shops:** scales programming, operation listings, price changes, vendors management, articles, ingredients, offers, stock control in the main warehouse and the shops, purchase orders, ...
- **Design of labels with visual interface.**
- **Local or remote automatic communications.**
- **Module (Dibal "LBS") to load data and configurations, and for back-up copies.**



Distributed By:
W
ACCUWEIGH

RETAIL SCALES K SERIES

by **DIBAL**



Table of Models

Models	Available Formats ⁽¹⁾							PLUs	PLU Keys	Printer	Interconnection	PC Connection		Internal Battery	Extern. Bat. Conn.
	F	F-XL	T	T-XL	DB	AH	SSH					SS	Serial		
K-330	•		•		•	•	•	5,000	32 x 2	Receipts		RS-232			Option ⁽⁶⁾
K-330 XL		• ⁽²⁾		• ⁽²⁾				5,000	32 x 2	Receipts		RS-232			
K-350	•		•		•	•	•	5,000	32 x 2	Receipts	•	RS-232/422	Optional		Option ⁽⁶⁾
K-350 XL		• ⁽²⁾		• ⁽²⁾				5,000	32 x 2	Receipts	•	RS-232/422	Optional		
K-330 B	•		•		•			5,000	32 x 2	Receipts		RS-232		•	
K-330 B XL		• ⁽²⁾		• ⁽²⁾				5,000	32 x 2	Receipts		RS-232		•	•
K-350 B	•		•		•			5,000	32 x 2	Receipts	•	RS-232/422	Optional	•	•
K-350 B XL		• ⁽²⁾		• ⁽²⁾				5,000	32 x 2	Receipts	•	RS-232/422	Optional	•	•
K-335	•		•		•	•		2,000 ⁽⁴⁾	32 x 2	Labels/Receipts		RS-232		Option ⁽⁵⁾	Optional
K-335 XL								2,000 ⁽⁴⁾	32 x 2	Labels/Receipts		RS-232			Option ⁽²⁾
K-355	•		•		•	•		2,000 ⁽⁴⁾	32 x 2	Labels/Receipts	•	RS-232/422	Optional	Option ⁽⁵⁾	Optional
K-355 XL		•		•				2,000 ⁽⁴⁾	32 x 2	Labels/Receipts	•	RS-232/422	Optional		Option ⁽²⁾
K-380 / 382 ⁽³⁾							•	1,900 ⁽⁴⁾	100	Labels		RS-232/422	Optional		
K-385 / 387 ⁽³⁾							•	1,900 ⁽⁴⁾	150	Labels		RS-232/422	Optional		

(1) F= Flat, F-XL= Flat with Larger Plate, T= Tower, T-XL= Tower with Larger Plate, DB= Double Body, AH= Hanging ABS Plastic, SSH= Stainless Steel Hanging, SS= Self-Service.
 (2) Commercial launch during second quarter 2008. (3) K-380/382: 100 KEYS keyboard, K-385/387: 150 KEYS keyboard. K-380/385: Buyer display, K382/387: 2-Displays (buyer and vendor).
 (4) Also available firmware versions for telecharge with 400, 800, 1,500 or 4,500 PLUs, depending on the charge of information in each PLU (400 or 3,700 PLUs in Self-Service models).
 (5) Internal "anti black-out" battery: optional, not available in hanging scale models. (6) External battery connection: optional in hanging scale models (for the rest of the formats, just available in 330 B, 330 B XL, 350 B and 350 B XL models).

Accuweigh Pty Ltd

BROCHURE: AW091 | REVISION: E12

WESTERN AUSTRALIA (HEAD OFFICE):
PHONE: (08) 9259 5535

SOUTH AUSTRALIA OFFICE:
PHONE: (08) 8447 5011

NEW SOUTH WALES (SYDNEY) OFFICE:
PHONE: (02) 9728 4877



www.accuweigh.com.au

VICTORIA OFFICE:
PHONE: (03) 9548 5554

NEW SOUTH WALES (NEWCASTLE) OFFICE:
PHONE: (02) 4966 8900

QUEENSLAND OFFICE:
PHONE: (07) 3265 5520

**Receipt printer or "2 in 1" printer:
receipts or labels in a single scale**

Capacity / Accuracy

Single range:

15 kg - 5 g.

Dual range options:

6 kg - 2 g # 15 kg - 5 g /
15 kg - 5 g # 30 kg - 10 g.

6.000 divisions option:

12 kg - 2 g / 30 kg - 5 g.

Display

Backlight LCD alphanumeric
segments display.



Features

Articles: Up to 5.000 PLUs, depending on model.

Pre-sets: 32 x 2 keys. Transparent keyboard overlay to personalise PLUs (except in stainless steel hanging scales).

PLU related information: code, pre-set, name, price, type of article (weighed / non weighed), section (10 sections), VAT (5 types) and tare. In models with label printer, each article also includes: label format (5 formats), 3 dates (current, use by, extra) and free texts (3 lines x 20 characters for texts and ingredients).

Vendors: 10 (5 x 2 keys), except in self-service scales.

Pre-set tares: 9.

Beef traceability: printing of animal info, on receipt and/or label, according to European regulation.

Other features:

- Currency converter.
- Calculation of cash to be returned to customer.
- 5 Payment terms.
- Sales reports (by PLU, vendor, section, etc).

Formats

FLAT, with receipt printer or receipt/label printer.

TOWER, with receipt printer or receipt/label printer.

FLAT OR TOWER "XL", with **extralarge plate**, and receipt printer or receipt/label printer.

DOUBLE BODY, with receipt printer or receipt/label printer.

HANGING ABS, with receipt printer or receipt/label printer.

HANGING STAINLESS STEEL with receipt printer.

SELF-SERVICE, with label printer.



Configurable self-service keyboard

Self-Service models are available with **100 or 150 direct article keys (PLU)**.

It also allows to assign several keys to the same PLU to have larger keys.

1	2	3	4	5	6	7	8	9	10
11	12	13	14	15	16	17	18	19	20
21	22	23	24	25	26	27	28	29	30
31	32	33	34	35	36	37	38	39	40
41	42	43	44	45	46	47	48	49	50
51	52	53	54	55	56	57	58	59	60
61	62	63	64	65	66	67	68	69	70
71	72	73	74	75	76	77	78	79	80
81	82	83	84	85	86	87	88	89	90
91	92	93	94	95	96	97	98	99	100
101	102	103	104	105	106	107	108	109	110
111	112	113	114	115	116	117	118	119	120
121	122	123	124	125	126	127	128	129	130
131	132	133	134	135	136	137	138	139	140
141	142	143	144	145	146	147	148	149	150

Connectivity and communications

Scales network:

- Up to 5 scales (except in 330/335 and self-service models).

Computer communication

(view Table of models):

- RS-232, RS-422.
- Remote communication via modem.
- Ethernet 10 BaseT.
- Homeplug communications (Ethernet connection through mains).
- Optional Windows Dibal RMS software.



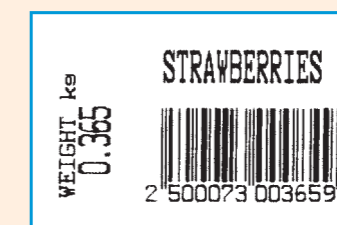
Other connections:

- Connection to cash drawer (24 V), included in all versions, except in self-service and hanging models.
- Integration with Waldyssa-Automac "Elixa Micro" wrapping machine.
- Optional connection to external battery (12 V).

All K Series models can be connected to PC to load and download data and configuration, as well as to make **back-up** copy of all information programmed in the scale.



/€/€ simulated exchange.



Printing functions

Two types of thermal printers:

Receipt printer in 330 and 350 models that allows the use of standard or high capacity paper rolls.

Multi purpose printer: allows the use of receipt and label rolls or continuous adhesive paper in 335 and 355 models (self-service: only labels).

- Standard or high capacity rolls can be used in flat and tower scales; there is also an optional accessory to allow the use of small sized labels.
- Double body, ABS hanging and self-service scales, are equipped with a **cassette** for quick paper replacement. An optional accessory is available to allow the use of standard paper rolls and small sized labels.

Receipt configuration:

- **8** programmable **text lines** (4 head lines, 2 under the total and 2 bottom lines).
- Date, time and receipt number.
- **EAN-13** bar code.
- Total in Euro, local currency or two additional currencies.
- Amount received and cash returned.
- Possibility to print "**cash voucher**".
- **4 font types**.
- **Beef traceability** texts.

Label configuration:

- Up to **4.000 ingredients** (editable).
- **5** configurable **label formats**.
- **40 fields** per format.
- **15** programmable **text lines**.
- **EAN-13 bar codes**.
- **3 dates:** current, use by and extra.
- **3 free text** per PLU + one or two 250 character texts (depending on versions).
- **Beef traceability** text.
- "Copy format" function.
- **4 font types** x 15 sizes.
- Rotation of texts and bar codes.