



ACCUWEIGH

**Onboard and Vehicle
Weighing Systems**

Road Guardian

Wheel Weighers for Commercial Vehicles

DESCRIPTION

Utilising advanced scale technology, Accuweigh Onboard introduces the new Road Guardian wheel weigher. Designed as a low profile, self-contained weighing platform, the Road Guardian features a slim, low height platform with totally integrated weighing indicator. Built from aluminium, the individual platform weighs only 17.5kg with a height of 29mm making it easy to roll vehicles on and off the platforms. The rugged construction of the integrated platform allows it to endure accidental tyre overrun at all points including the digital display area.

All new digital electronics provide a fast, accurate and easy to read weigh indicator that is fully integrated in to the carry handle and is powered by six AA-size batteries located in the display housing. The internal batteries can be recharged from any 12VDC source or the 240VAC line adaptor.

Weight data is displayed on an easy to read alphanumeric liquid crystal display (LCD). The LCD includes backlighting capability for low light or night-time operation. The digital indicator allows the operator to display the weight of each individual platform or the combined weight of all platforms.

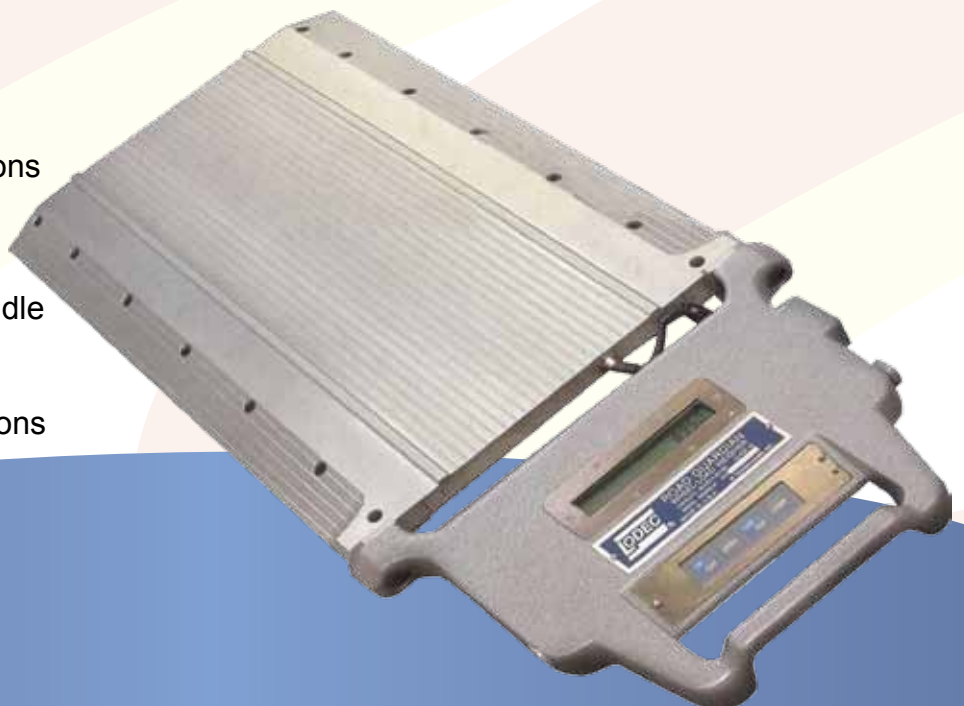
The Road Guardian comes in 2, 4 and 6 platform systems to accommodate a variety of different weighing configurations. This can be expanded to interconnect up to 16 platforms in to a single weighing system. Cables are provided to connect each platform to the junction box and power to recharge the internal batteries located in each individual platform.

APPLICATIONS

- Weight Enforcement
- On-site Weighing
- Portable Weighing
- Trailer Weighing
- Special Weighing Configurations

BENEFITS

- Light Weight and Easy to Handle
- Integrated Digital Indicator
- Portable Operation
- Flexible Weighing Configurations



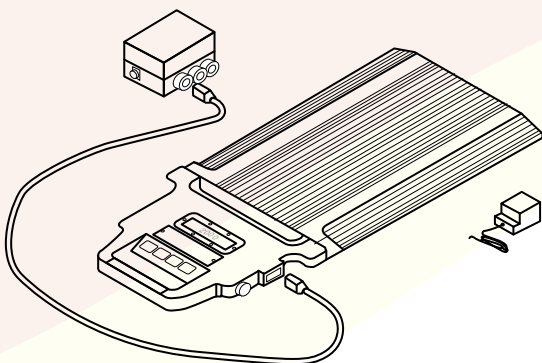
SPECIFICATIONS

Platform Capacity	10,000kg x 20kg (20,000lbs x 50lbs)
Accuracy	0kg - 1,000kg: ± 20 kg 1,000kg - 4,000kg: ± 40 kg, 4,000kg - 10,000kg: ± 60 kg
Graduations	20kg as Standard
Units of Measure	kg or lbs (Menu Programmable)
Safe Overload	150% of Rated Capacity
Storage Temperature	-34°C to +49°C
Operating Temperature Range	-20°C to +52°C
Indicator Display	16 Character Alphanumeric Dot Matrix Liquid Crystal Display
Indicator Display Lighting	LCD Back Light Display for Low Light Operation
Indicator Programming	Front Panel Programming and Calibration
Local / Total Mode	Single Platform Weight or Total of Multiple Platform Weights
Battery Power (Internal)	6 x 1.2VDC, AA-Size NiMH Batteries, Up to 72 Hours
Auto Shut-Off	After 15 Minutes of Inactivity
Environmental Rating	IP-68 Connectors
Single Platform Weight	17.5kg

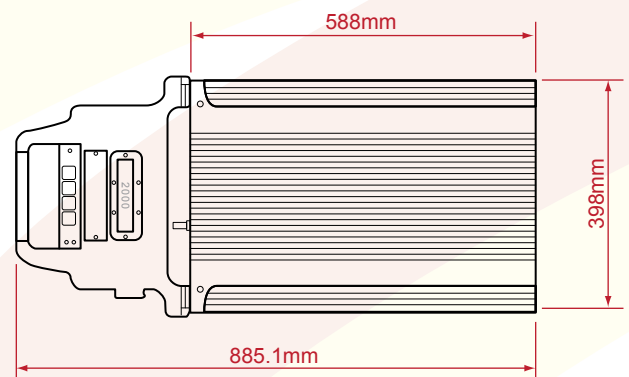
OPTIONAL EQUIPMENT

AC Power Adaptor	240VAC, 50-60Hz Power Source to Junction Box
Power Cable	12VDC Power Source to Junction Box

DIMENSIONS



ROAD GUARDIAN SYSTEM



OVERALL DIMENSIONS

Accuweigh Pty Ltd

BROCHURE: AW462 | REVISION: J12

WESTERN AUSTRALIA (HEAD OFFICE):
PHONE: (08) 9259 5535

SOUTH AUSTRALIA OFFICE:
PHONE: (08) 8447 5011

NEW SOUTH WALES (SYDNEY) OFFICE:
PHONE: (02) 9728 4877



www.accuweigh.com.au

VICTORIA OFFICE:
PHONE: (03) 9548 5554

NEW SOUTH WALES (NEWCASTLE) OFFICE:
PHONE: (02) 4966 8900

QUEENSLAND OFFICE:
PHONE: (07) 3265 5520