

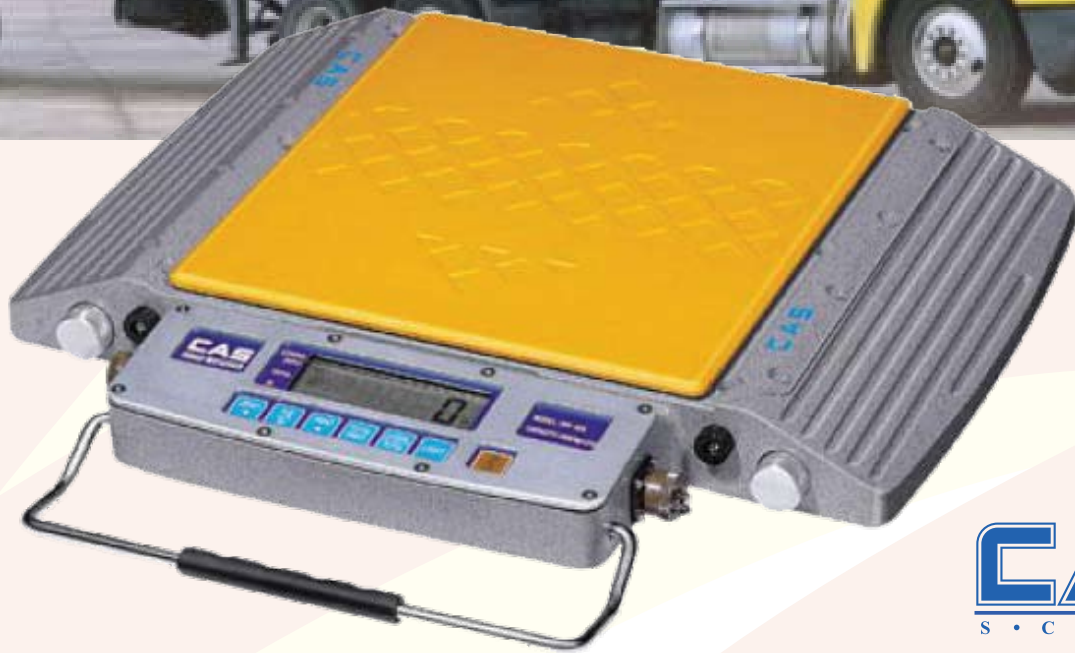


ACCUWEIGH

Onboard and Vehicle
Weighing Systems

RW-S/L Series

Wheel Weighing System



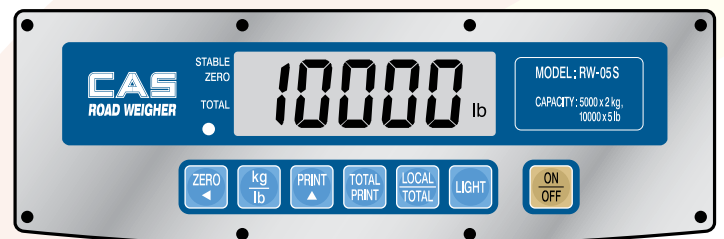
by

CAS
S • C • A • L • E

HIGHLIGHTS

- Designed for mobile weight inspection
- Heavy duty cast aluminium construction
- 25mm LCD illuminated backlight display
- Used for cars, trucks, and custom applications
- Battery operated with AC adapter/charger
- Single and double width available
- Scale are linkable for multi-axle weighing (up to 6 scales)

DISPLAY AND KEYBOARD



SPECIFICATIONS

MODEL	RW-05S	RW-10S	RW-05L	RW-10L
Capacity	5,000kg/ 10,000lb	10,000kg/ 20,000lb	5,000kg/ 10,000lb	10,000kg/ 20,000lb
Minimum Division	2kg/5lb	5kg/10lb	2kg/5lb	5kg/10lb
Display	5-Digit LCD Display (25mm High Digits)			
Accuracy	1%			
Safe Overload	150%			
Operating Time	20 hours (charging time 8 hours)			
Operating Temperature	-10°C ~ +40°C			
Power Source	12 x 1.5V AA-Size / DC7.2V 2.6Ah Battery (AC 220V Charger)			
Weigh Pad Dimensions	310mm(W) x 340mm(D)		625mm(W) x 340mm(D)	
Overall Size (W x D x H)	457mm x 536mm x 61mm		719mm x 566mm x 61mm	
Product Weight	22kg		36kg	

FEATURES

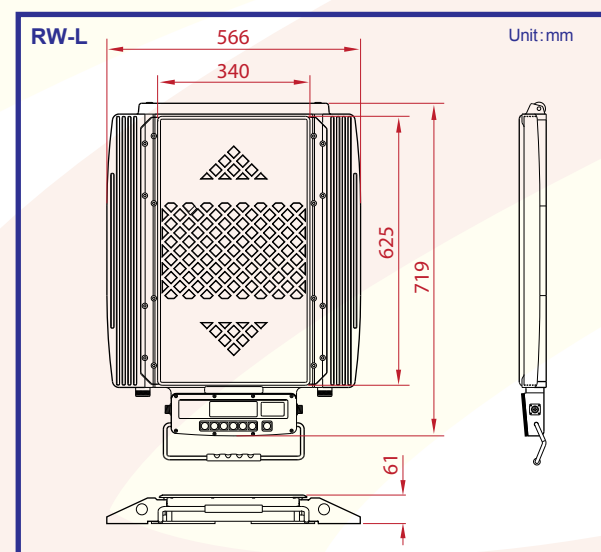
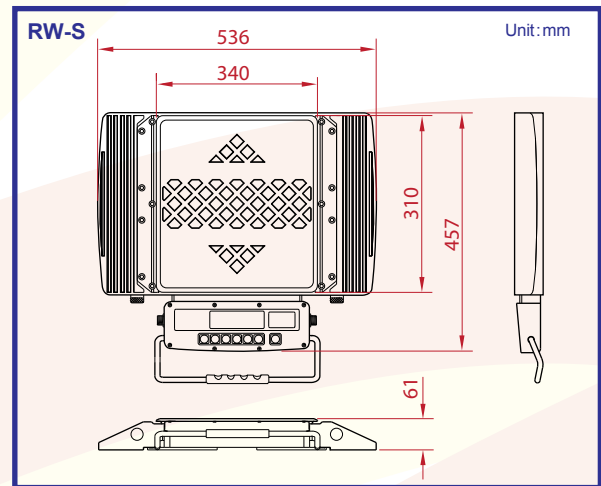
- Multi-Axle Weighing (Up to 6 Scales)
- 25mm LCD Display with Backlight
- kg/lb Switchable
- Displays Individual or Total Weight
- Advanced Digital Filtering to Compensate for Vibration

APPLICATIONS

- Safeguards against Overloaded Vehicles
- Mobile Weight Inspections

OPTIONS

- Totaliser Cable
- Printer



Accuweigh Pty Ltd

WESTERN AUSTRALIA (HEAD OFFICE):
PHONE: (08) 9259 5535

SOUTH AUSTRALIA OFFICE:
PHONE: (08) 8447 5011

NEW SOUTH WALES (SYDNEY) OFFICE:
PHONE: (02) 9728 4877



www.accuweigh.com.au

VICTORIA OFFICE:
PHONE: (03) 9548 5554

NEW SOUTH WALES (NEWCASTLE) OFFICE:
PHONE: (02) 4966 8900

QUEENSLAND OFFICE:
PHONE: (07) 3265 5520