



GP SERIES

HIGH-CAPACITY PRECISION BALANCE

The GP Series incorporates the Double Leveraged Super Hybrid Sensor **SHS** Super Hybrid Sensor bringing the most accurate weighing results to the industrial balances in the 12kg to 101kg capacities class.

by
A&D
A&D MERCURY PTY LTD

FEATURES

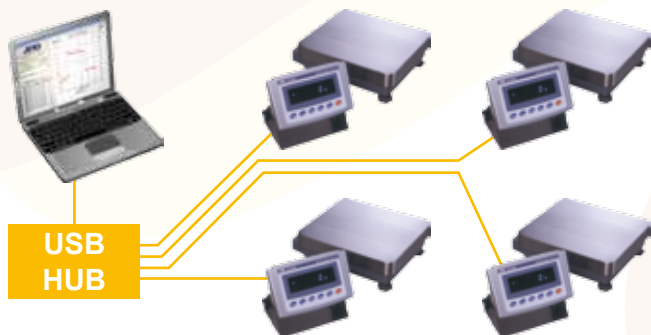


Internal calibration uses an internal test mass saving down time and money. Automatic self-calibration occurs when the balance detects ambient temperature changes. The balance also allows the operator to push a single button to demand an automatic calibration.



Windows Communication Tools Software provides easy transmission of weighing data from A&D balances to a computer using the RS-232 interface. Quickly export data to Windows applications in a manageable format limited only by the computer's capabilities.

Using a USB/RS-232 Converter, you can transfer data between a USB-equipped computer to multiple GP balances. This also makes the GP balance hot-swappable.



GLP The balance allows GLP, GMP and ISO balance management through the use of a settable balance ID number and calibration data. The ID number is retained in memory without the need for power.



GP-S SERIES
With Detachable Display (GP-30KS and GP-100KS Only)

GP SERIES



Clear Vacuum Fluorescent Display even in low light. Wide viewing angle eliminates viewing mistakes.



Bi-directional communication with a computer or connect direct to a printer.

IP65 IP-65 compliant, resistant to dust water and moisture.



COMPARATOR
Comparator Mode

OFF
Auto Power Off

FDC
Full Digital Calibration

ANIMAL
Animal Weighing Mode



SWING ARM



Automatic counting accuracy improvement continuously recalculates and updates the average piece weight, ensuring optimum count accuracy even with very small parts.

| MODEL | GP-12K | GP-20K | GP-22K | GP-30K GP-30KS | GP40K | GP60K | GP-100K GP-100KS | GP-102K |
|-------------------|--|--------|-----------|-------------------|----------|----------|---------------------|-----------|
| Capacity | 12kg | 21kg | 21kg | 31kg | 41kg | 61kg | 101kg | 101kg |
| Resolution | 0.1g | | 1g/0.1g | 0.1g | 0.5g | 1g | | 10g/1g |
| Repeatability | 0.1g | | 0.5g/0.1g | 0.1g | 0.5g | 0.7g | 1g | 5g/1g |
| Linearity | ±0.2g | | ±1g/±0.2g | ±0.2g | ±1g | | ±2g | ±10g/±2g |
| Sensitivity Drift | ±3ppm/°C | | ±5ppm/°C | ±3ppm/°C | ±5ppm/°C | ±6ppm/°C | | ±10ppm/°C |
| Weighing Units | g, kg, lb, L OZ, OZ, ct, dwt, OZt, mom, TL, MS, tola, DS, %, pcs (g, ct, and dwt not available with GP-102K) | | | | | | | |

OPTIONS

- GF-04: Comparator Output (Relay with Buzzer)/RS-232C/ Current Loop
- GF-06: Analog/Current Loop Output
- GF-07: 5m Connection Cable for GP-30KS & GP-100KS)
- GP-20: Underhook (for GP-12K/20K/22K/30K/30KS/40K)
- GP-21: Underhook (for GP-60K/100K/100KS/102K)
- GP-22: AD-8121 Printer Support

DENSITY DETERMINATION

The GP has a density determination mode ideal for determining the density of solids such as concrete. An optional underhook is available to assist density determination or for weighing magnetic substances.

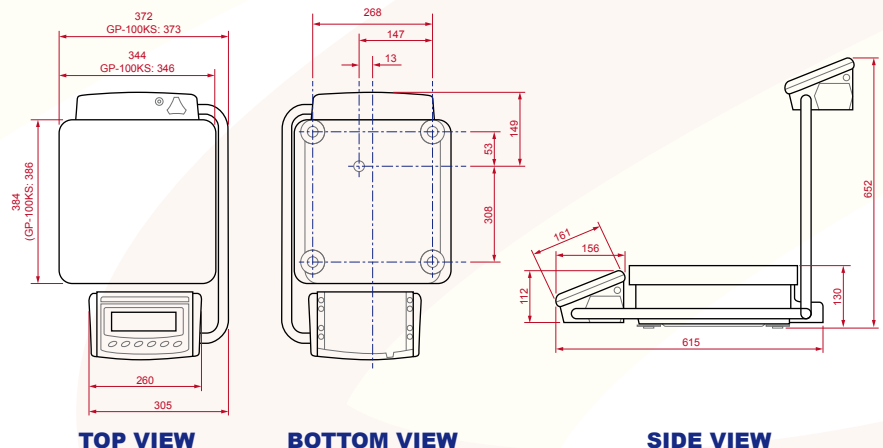
ACCESSORIES

- AX-KO1710-200: RS-232C Cable
- AX-SW-128: Foot Switc

PERIPHERALS

- AD-1682: Rechargeable Battery Unit
- AD-8920: Remote Display
- AD-8121: Dot Matrix Compact Printer
- AD-8118B: Universal Printer

DIMENSIONS



Accuweigh Pty Ltd

WESTERN AUSTRALIA (HEAD OFFICE):
PHONE: (08) 9259 5535

SOUTH AUSTRALIA OFFICE:
PHONE: (08) 8447 5011

NEW SOUTH WALES (SYDNEY) OFFICE:
PHONE: (02) 9728 4877



www.accuweigh.com.au

VICTORIA OFFICE:
PHONE: (03) 9548 5554

NEW SOUTH WALES (NEWCASTLE) OFFICE:
PHONE: (02) 4966 8900

QUEENSLAND OFFICE:
PHONE: (07) 3265 5520